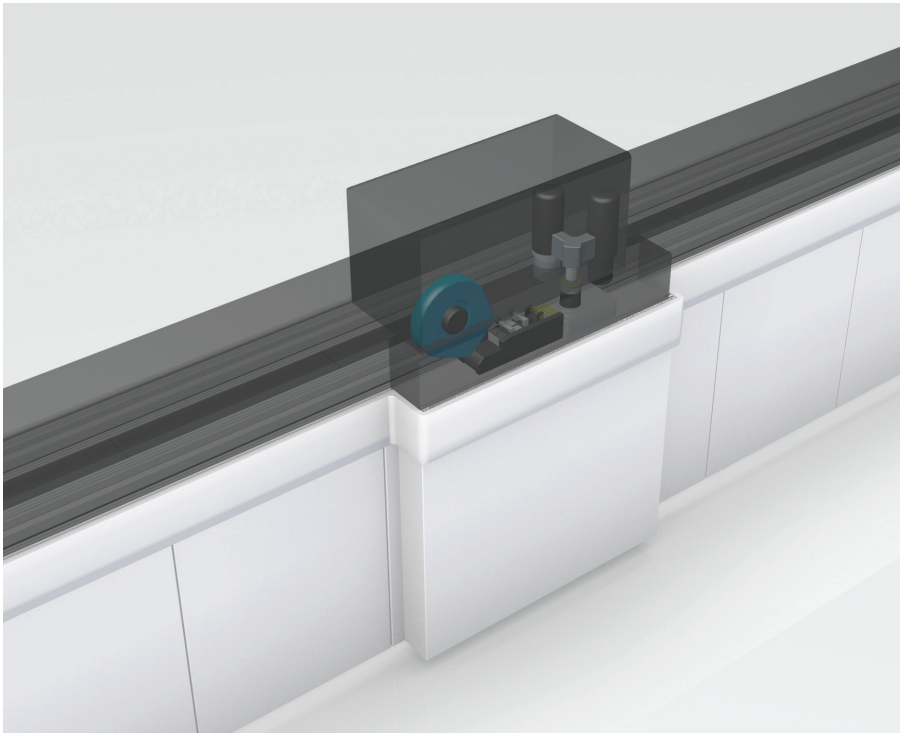


Sealer Module (SM)

Technical Data Sheet

The Sealer Module allows automatic sealing of plastic sample tubes after analytical processing. At the Sealer Module, the gripper holds the sample tube while it is sealed with aluminum foil from the Sealer coil. Individual foil seals are cut for each sample tube and heat-sealed to the plastic sample tube.

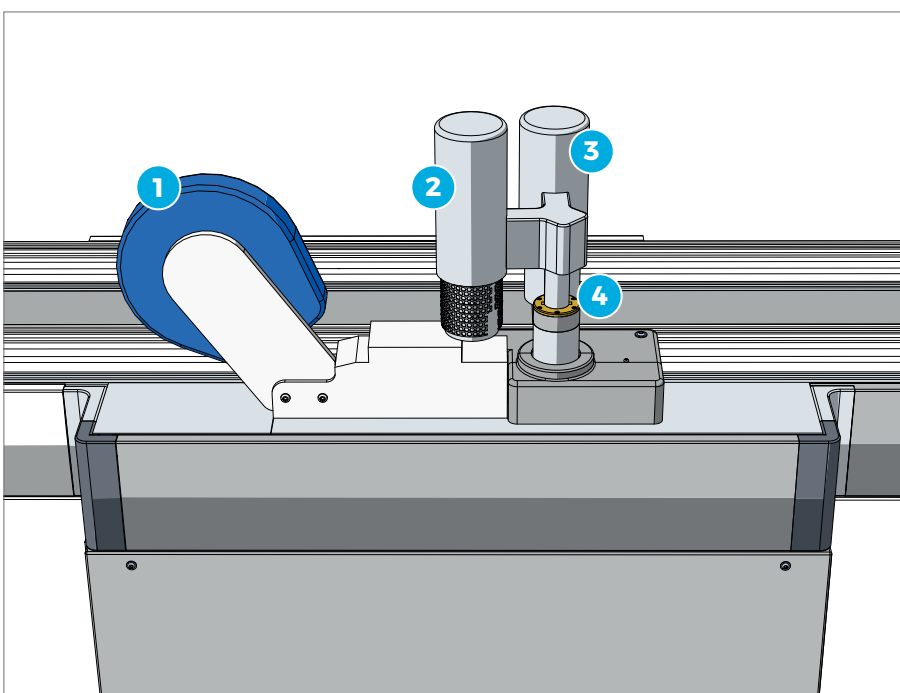


Benefits

- > Physical-chemical properties of samples maintained thanks to the sealing after tests (evaporation and contamination prevented)
- > Saving of operator's time by eliminating manual tasks
- > Reduction of dangerous and dirty tasks from Operator's activities

Applications

- > Sample tubes have to be sealed for possible "rerunning" or re-usage



- 1 Sealer Reel
- 2 Heater
- 3 Crimper
- 4 Tube Gripper

Main Features

| | |
|-------------------------------|---|
| Throughput | up to 750 tubes/h (standard) up to 770 tubes/h (High Throughput) |
| Walk-away capacity | 19000 tubes (cartridge dimensions) |
| Tube specifications | |
| Sample type | All (spun and unspun) |
| Cap type | Uncapped |
| Dimensions (mm) | 13x75, 13x100, 16x75, 16x100 |
| Position along the automation | Post-analytical area |

The maximum throughput calculations are obtained in optimized and standardized conditions, as tested by Inpeco.

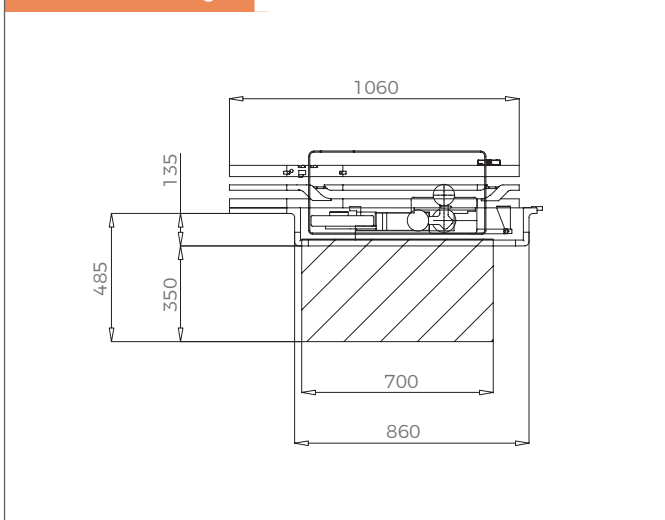
Other Features

- > Individual aluminum foil is heat-sealed to the plastic sample tube
- > The sealed aluminum foil remains stuck to the sample tube in the range of temperature between the highest SM temperature and the lowest Storage temperature

Technical Specifications

| | FlexLab™ Standard | FlexLab™ HT |
|--|-------------------|------------------|
| Dimensions (LxHxD) (mm) | 860x 1240x135 | 860x 1240x135 |
| Main clearances (left x right x front) (mm) | 0x0x350 | 0x0x350 |
| Weight (Kg) | 35 | 35 |
| Compressed air (NL/min) | 25.15 | 23.67 |
| Power inlet point | 230 Vac | 230 Vac |

Technical Drawing



Module dimensions and clearances expressed in mm.

| | FlexLab™ Standard | FlexLab™ HT |
|--------------------------------|---|---|
| Maximum continuous current (A) | / | / |
| Maximum alternate current (A) | 3.1 | 3.1 |
| Heat (BTU/h) | 1934.4 | 1934.4 |
| Noise (dBA) | 63-68 according to operator's position | 63-68 according to operator's position |

Ordinary Maintenance

| | |
|-----------------------|--|
| Operator ¹ | / |
| Service ² | Every 180 days, according to operations |

¹ According to Operation Manual. ² The periodicity depends also on the routine tubes/day. For more details refer to Service Manual.

Part Numbers

| | FlexLab™ | FlexLab™ for High Throughput |
|--------|------------|------------------------------|
| Module | FLX-206-02 | FLX-206-13 |
| Slot | FLX-506-02 | FLX-506-12 |

Inpeco SA
Via Torracchia 26
6883 Novazzano
Switzerland
inpeco.com



reference code: SSF-SM 23.07
version n°: EN05