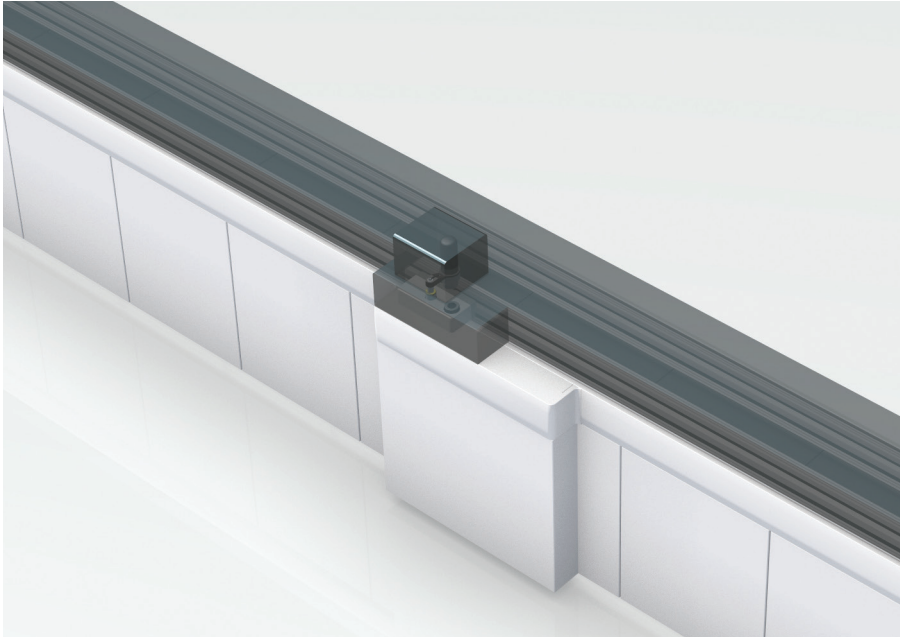


## Recapper Module (RCM) Technical Data Sheet

The Recapper Module allows automatic positioning of plastic screw cap on secondary sample tubes produced by the Aliquoter Module (AQM). Once the secondary sample tubes are recapped, they are moved to Output Modules or Input/Output Module into an appropriate output or sorting rack.

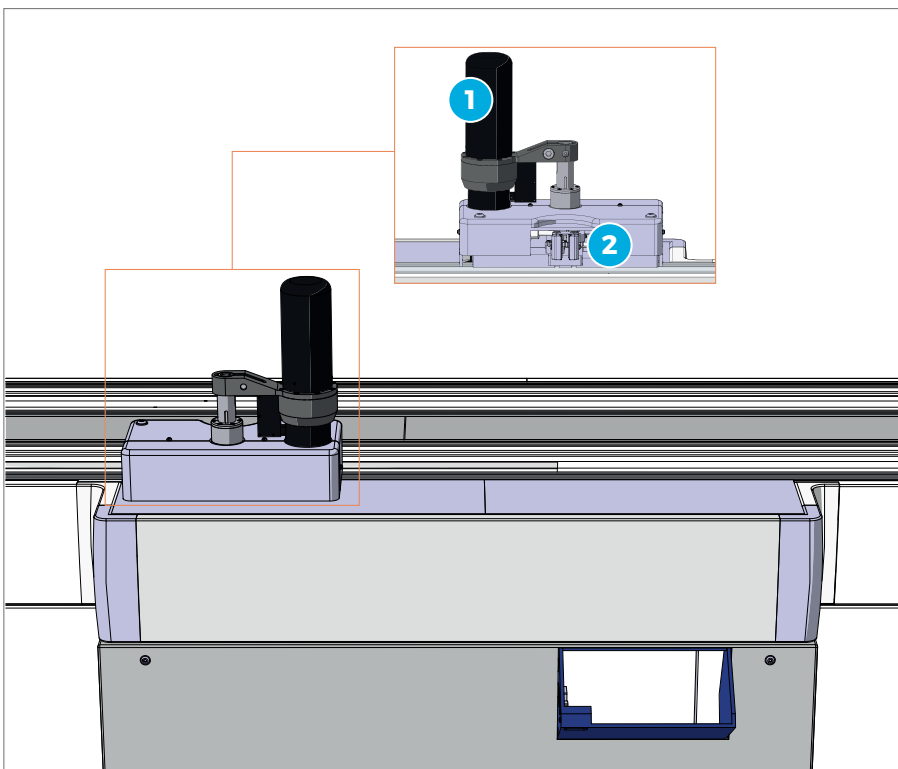


### Benefits

- > Reduction of dangerous and dirty tasks from Operator's activities
- > Physical-chemical properties of samples maintained thanks to the recapping process (evaporation and contamination prevented)

### Applications

- > Recapping of secondary sample tubes after aliquoting



- 1 Recapper Head
- 2 Tube Gripper

## Main Features

Throughput	Up to 400 tubes/h
Walk-away capacity	1000 tubes (caps container capacity)
Tube specifications	
Sample type	Spun (Aliquoted)
Cap type	Uncapped
Dimensions (mm)	13x92 false bottom
Position along the automation	Before output area

The maximum throughput calculations are obtained in optimized and standardized conditions, as tested by Inpeco.

## Other Features

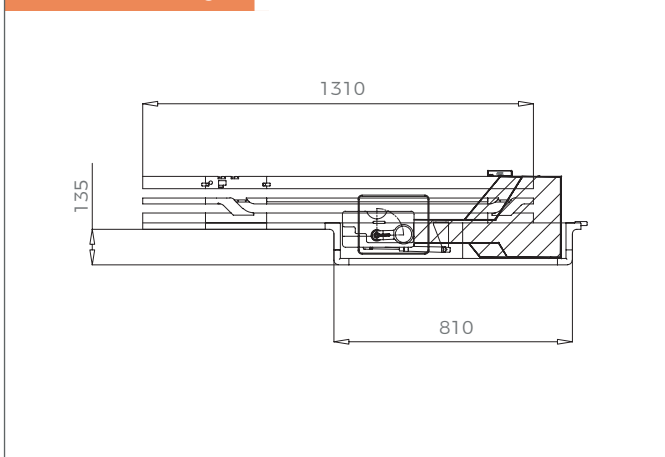
- > RCM has a Tube Gripper Device to hold sample tubes while capping
- > RCM caps hopper contains a minimum of 1000 caps

## Technical Specifications

Dimensions (LxHxD) (mm)	810x1240x135
Main clearances (left x right x front) (mm)	/
Weight (Kg)	35
Compressed air (NL/min)	10.83 (Standard), 10.09 (HT)
Power inlet point	24 Vdc

Maximum continuous current (A)	1.3
Maximum alternate current (A)	/
Real power consumption (W)	45.2
Heat (BTU/h)	84.9

## Technical Drawing



Module dimensions and clearances expressed in mm.

## Ordinary Maintenance

Operator <sup>1</sup>	Monthly
Service <sup>2</sup>	Every 90-180 days, according to operations

<sup>1</sup> According to Operation Manual. <sup>2</sup>The periodicity depends also on the routine tubes/day. For more details refer to Service Manual.

Part Numbers	FlexLab™	FlexLab™ for High Throughput
Main module	FLX-213-01	FLX-213-11
Slot	FLX-513-01	FLX-513-11