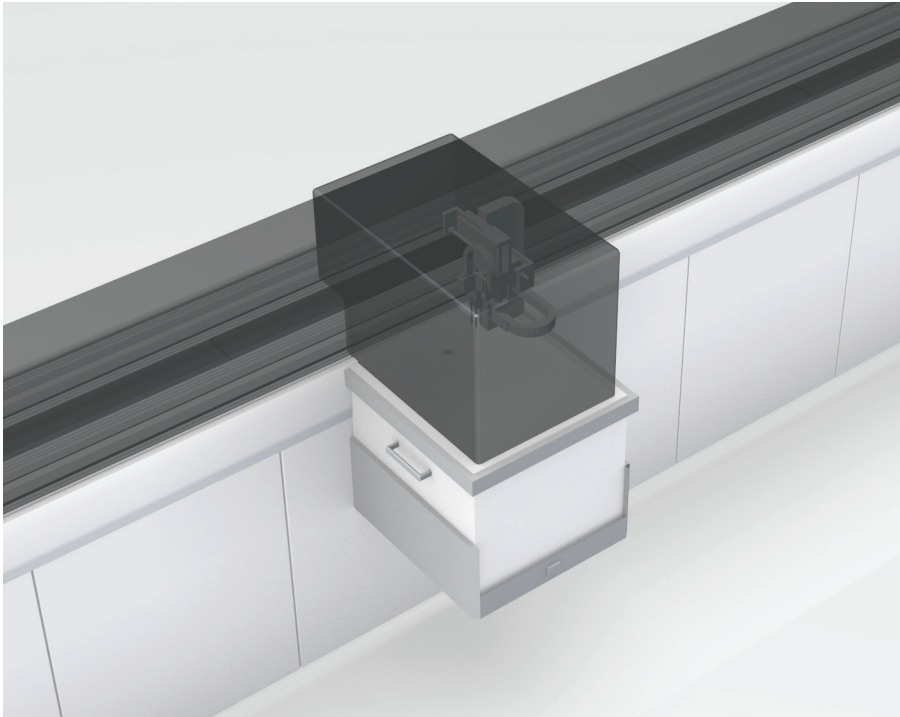


Bulk Output Module (BOM)

Technical Data Sheet

The Bulk Output Module unloads sample tubes into a box without using racks, when sample testing is completed or tubes need to be discarded or sorted out. The Bulk Output Module can process simultaneously different tube types and sizes.

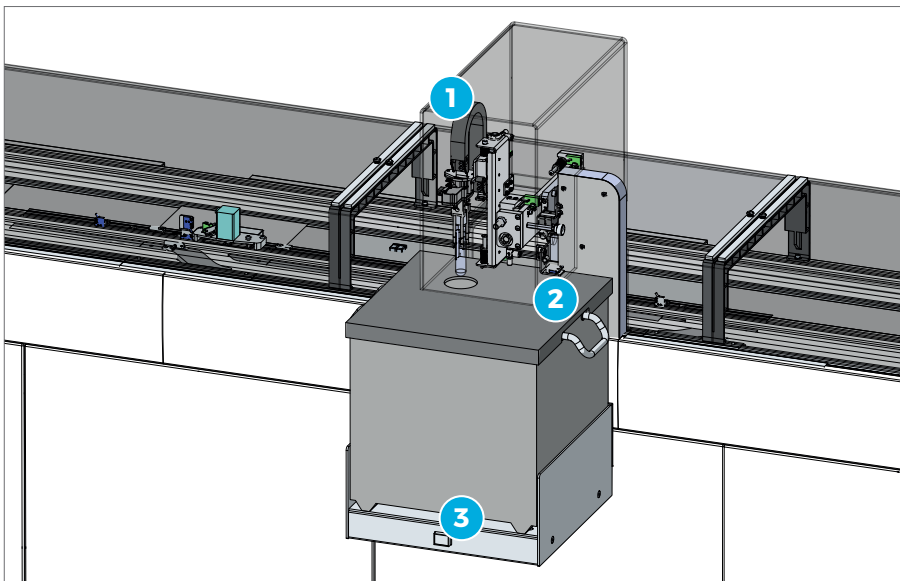


Benefits

- > Immediate waste of samples not requiring storage
- > Saving consumables
- > Output for additional sorting out of the automation
- > Processing of various tube types and sizes

Applications

- > As waste: tubes not addressed to Storage directly discarded
- > As sorting out: tubes addressed to a stand-alone specialty directly collected into BOM



- 1 Desealer Head
- 2 Gripper Pads
- 3 Drip Tray



Main Features

Throughput	Up to 1200 tubes/h
Walk-away capacity	600 tubes (box capacity threshold)
Tube specifications	
Sample type	All (spun and unspun)
Cap type	Capped
Dimensions (mm)	All allowable on automation
Position along the automation	As output module: between Input Area and Analytical Area As sorting module: where it is most useful along the workflow

The maximum throughput calculations are obtained in optimized and standardized conditions, as tested by Inpeco.

Other Features

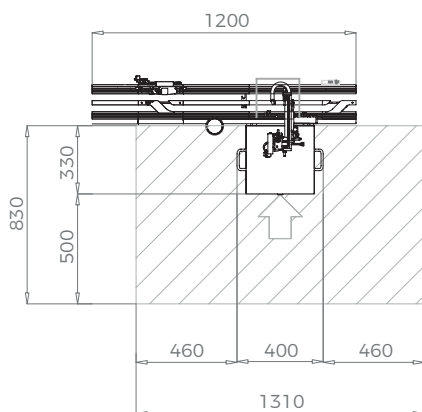
- > BOM has a Robot to pick sample tube from track and place it into the Box
- > BOM has a Booking Button to allow access to the Box
- > BOM has a Lighting System indicating the level of Sample Tubes contained into the Box

Technical Specifications

Dimensions (LxHxD) (mm)	400x1890x330
Main clearances (left x right x front) (mm)	460x460x500
Weight (Kg)	30
Compressed air (NL/min)	15.37
Power inlet point	24 Vdc

Maximum continuous current (A)	3.5
Maximum alternate current (A)	/
Total power consumption (VA)	121.7
Heat (BTU/h)	228.5

Technical Drawing



Module dimensions and clearances expressed in mm.

Ordinary Maintenance

Operator ¹	/
Service ²	Every 90-180 days, according to operations

¹ According to Operation Manual. ²The periodicity depends also on the routine tubes/day. For more details refer to Service Manual.

Part Numbers

	FlexLab™	FlexLab™ for High Throughput
Module	N.A.	FLX-250-10
Slot	N.A.	FLX-550-10

N.A. = Not Available.